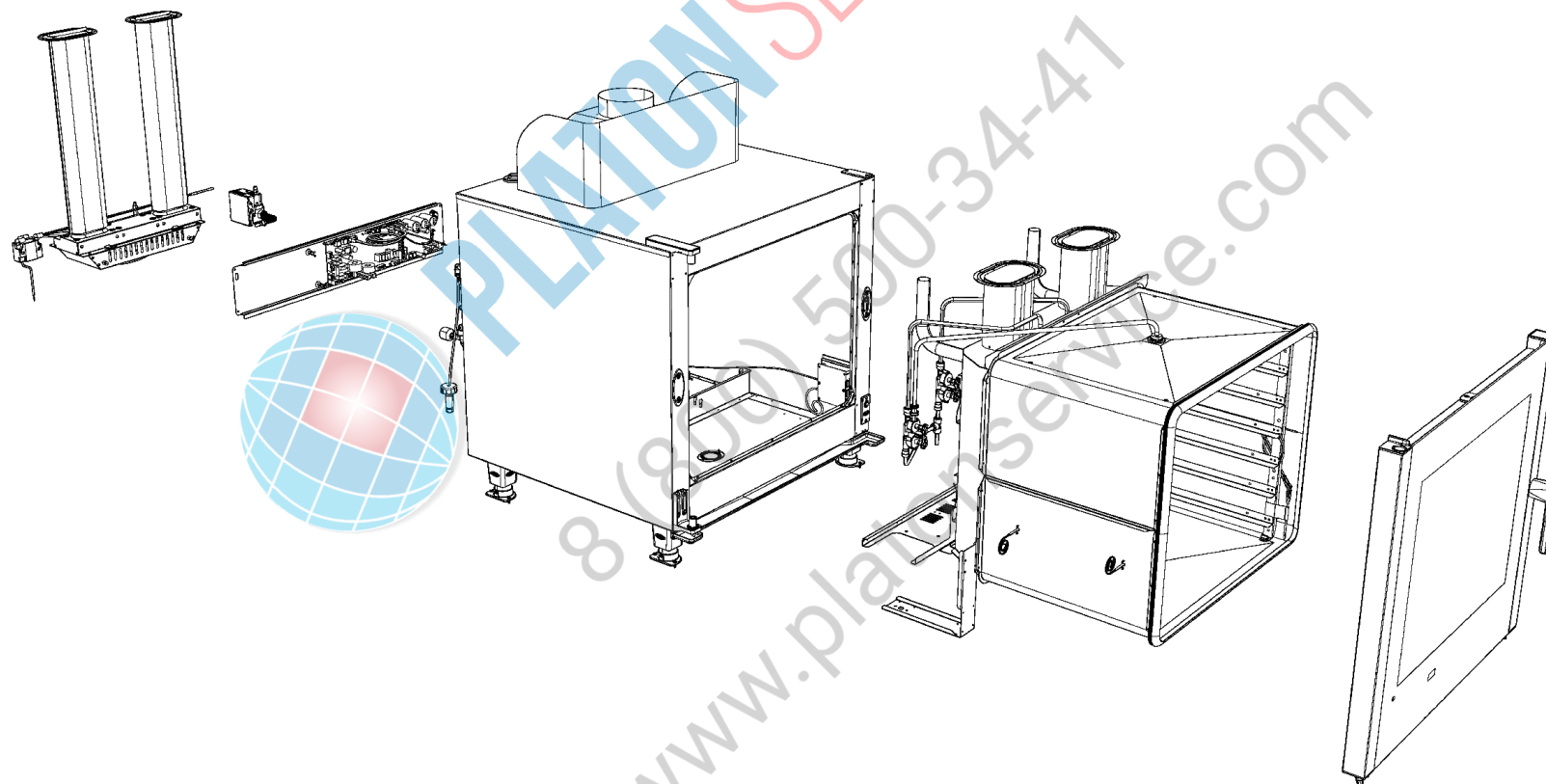
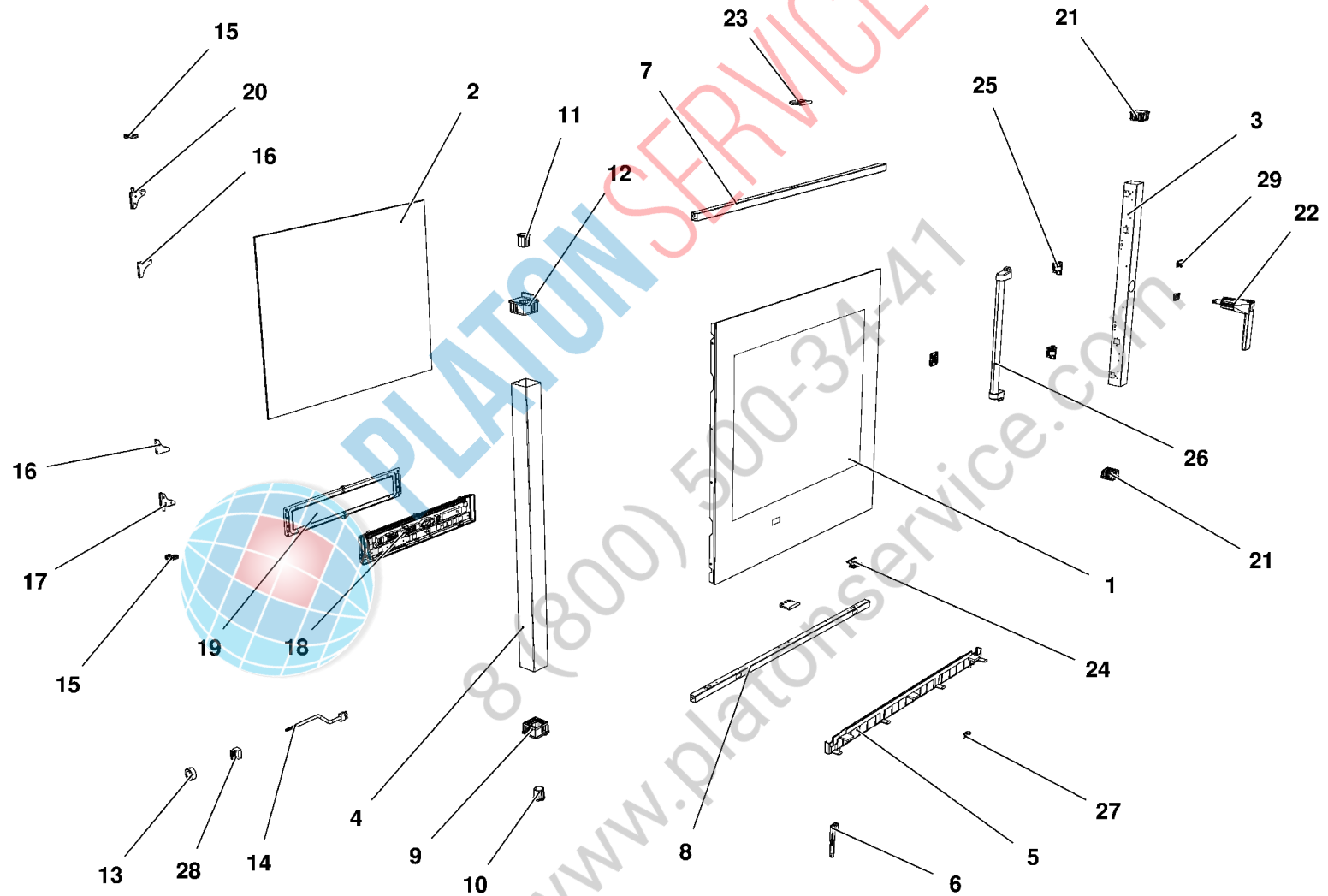


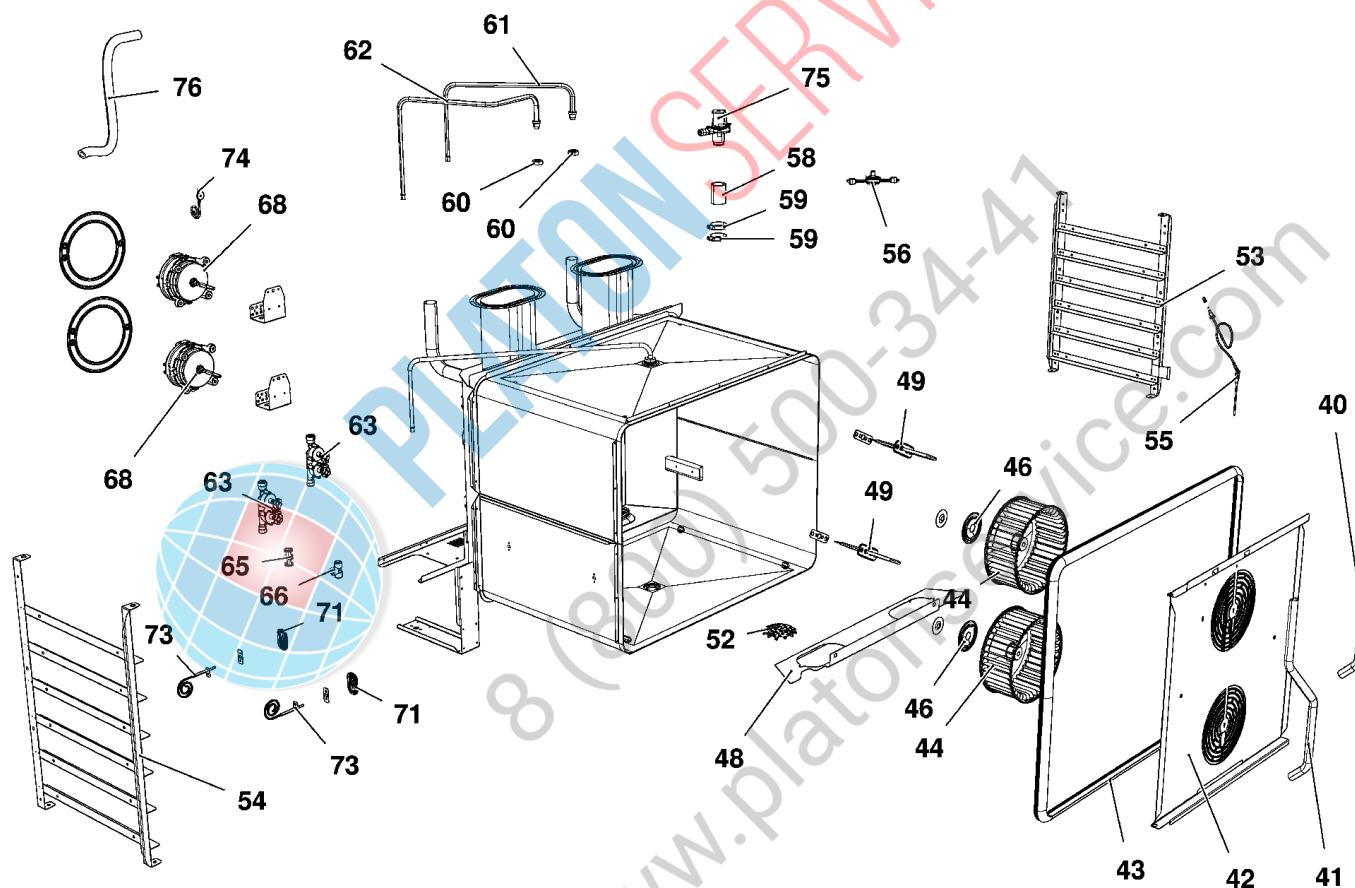
# MOD:XBC615EG



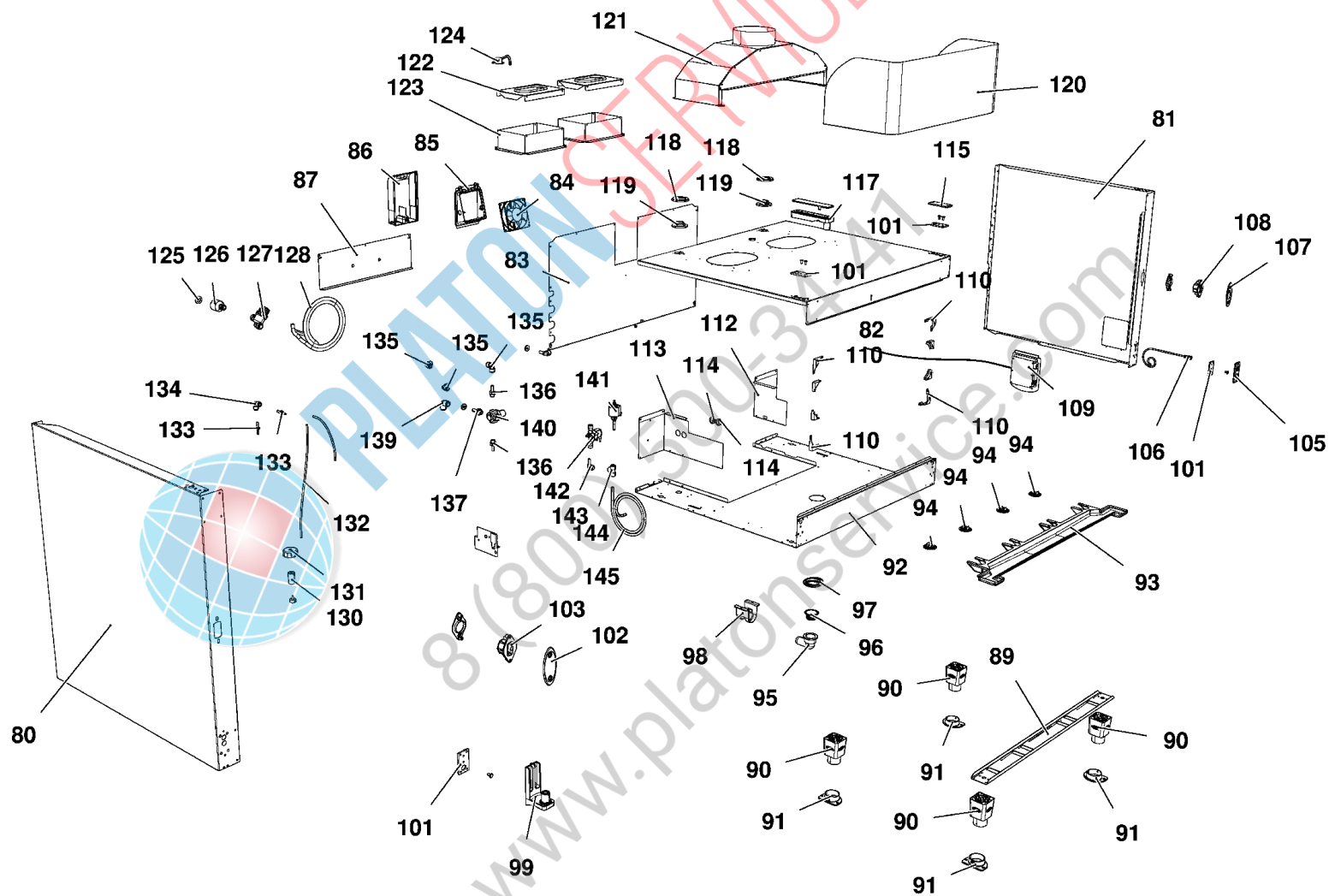
# MOD:XBC615EG



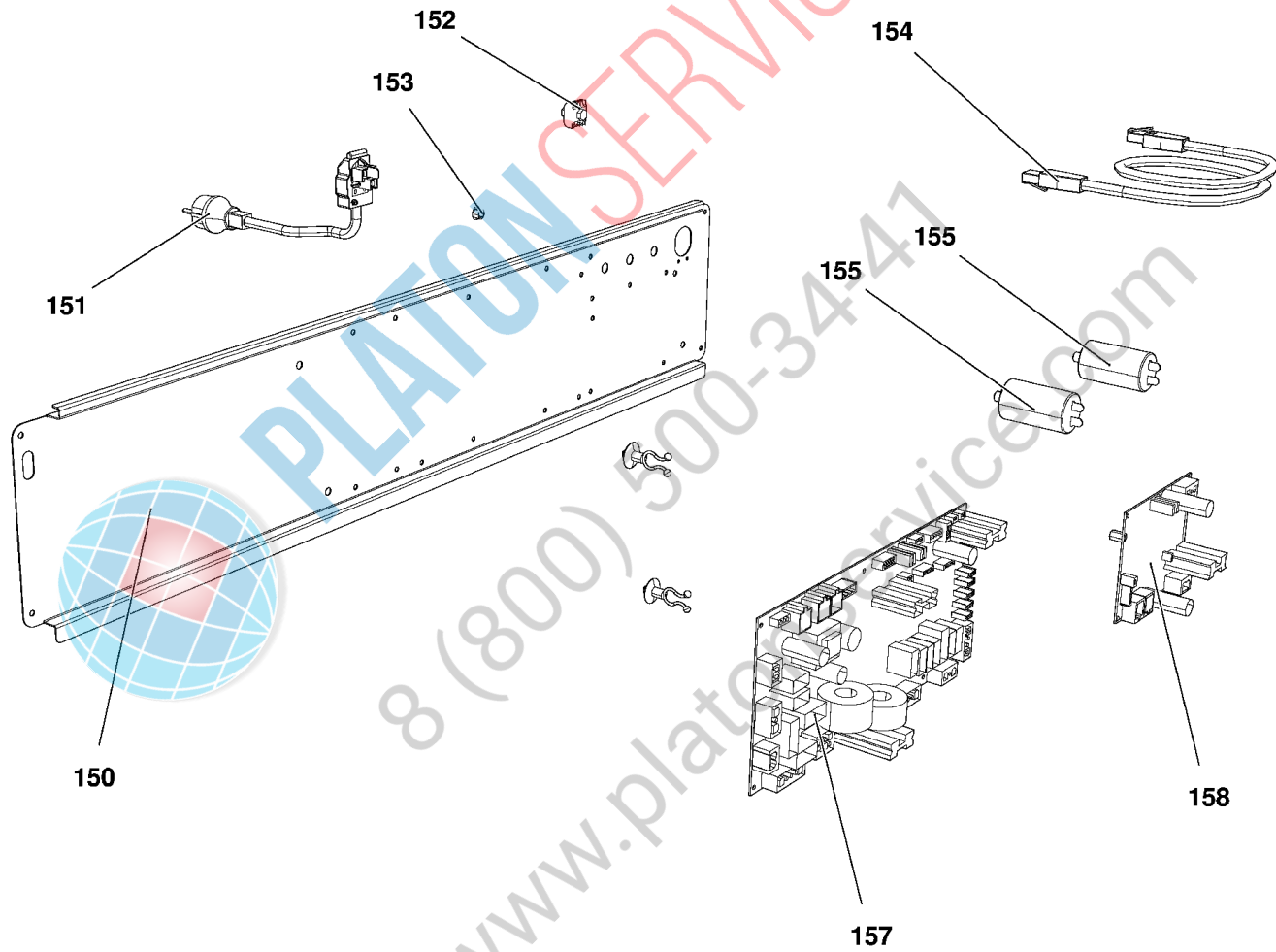
# MOD:XBC615EG

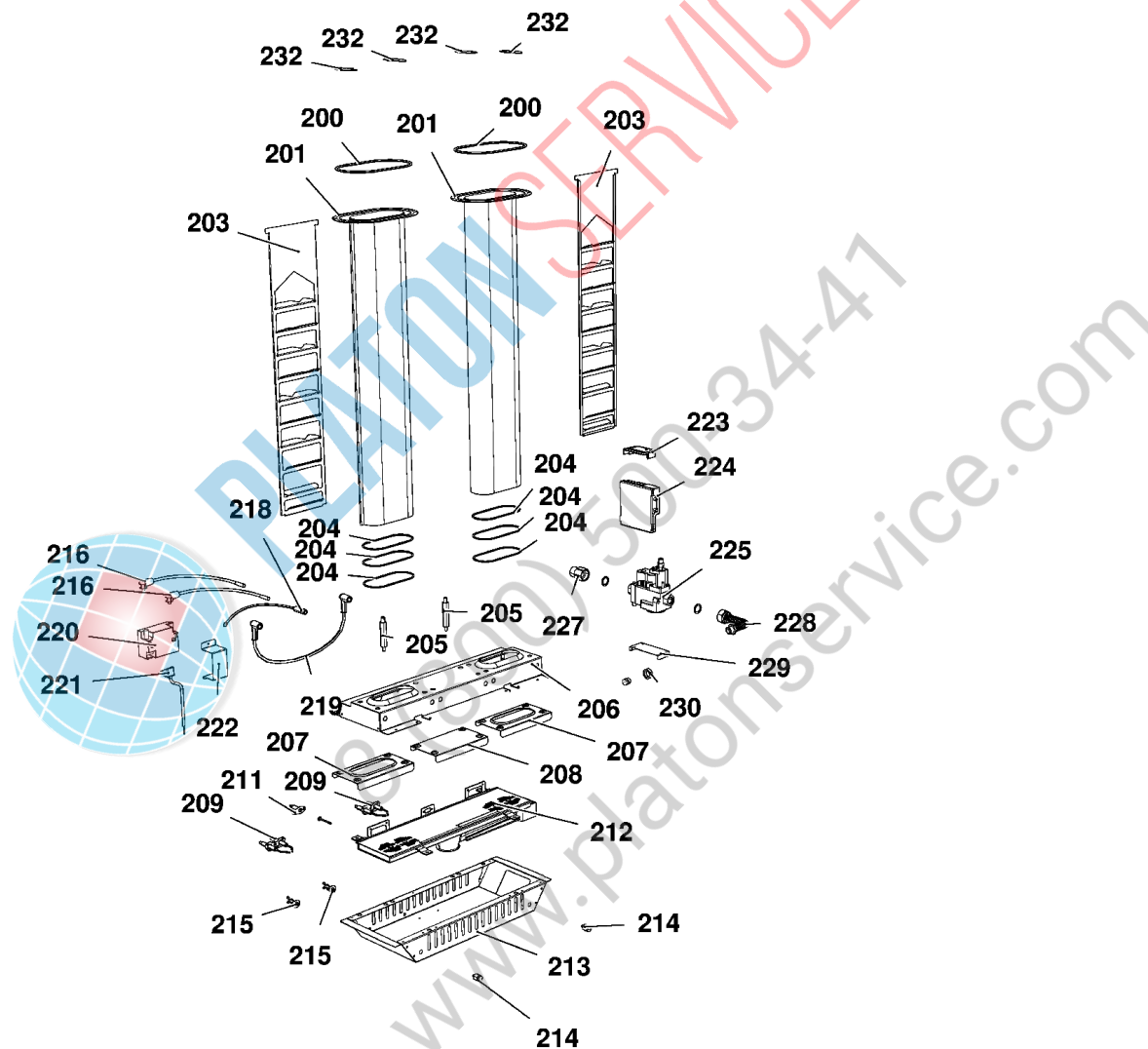


# MOD:XBC615EG



# MOD:XBC615EG





# MOD:XBC615EG



IT

## Descrizione codici

1	VT1136B	VETRO ESTERNO SER. 757X743X4 CHIA
2	VT1135A	VETRO INTERNO 743X620X6 BETFL
3	TB2315A	COLONNINA DX XVC505E-XBC605E 50X5
4	TB1191A	COLONNINA SX XVC505 XBC605 50X50X
5	VM1617A	PROFILO SALVAGOCCIA 400/600/800
6	VM2014A	TUBO PER PROFILO RACCOGLI GOCCE S
7	TB1361A	LISTELLO SUP. BT S.5E 20X20X1
8	TB1362A	LISTELLO INF. BT S.5E 20X20X1
9	VM1171B	TAPPO FULCRO INF. PORTA XVC204/30
10	VM1510A	BOCCOLA SCANALATA PERNO PORTA XBC
11	VM1511A	BOCCOLA LISCIA PERNO PORTA CHEFFT
12	VM1170B	TAPPO FULCRO SUP. PORTA XVC204/30
13	CE1285A	FERRITE EMI ROUND MOD. 2643801502
14	CE1310A	CAVO COLLEGAMENTO POTENZA CONTROL
15	VM1680A	CERNIERA APERTURA VETRO INTERNO
16	GN1181A	GUARNIZIONE CERN VETRO INT CR1085
17	CR1086A	CERNIERA VETRO INT INOX INF
18	PE1740A	ASSIEME SCHEDA CONTROLLO PE1705
19	VM1145A	CORNICE CRUSCOTTO C.T.
20	CR1085A	CERNIERA VETRO INT INOX SUP
21	VM1175A	TAPPO ESTETICO COLONNINA PORTA
22	VM1180A	IMPUGNATURA MANIGLIA XVC204/304/5
23	VM2031A	PREMIVETRO ESTERNO
24	VM2043A	SUPPORTO VETRO SUP - INF
25	VM2042A	ASSIEME CHIUSURA VETRO INTERNO LA
26	LP1002B	BARRA ILLUMINAZIONE LED L400
27	VM2044A	TAPPO PER PROFILO RACCOGLI GOCCE
28	CE1290A	MORSETTO FEMMINA ESTRAIBILE CPF 5
29	VM1490A	COPRI VITI MANIGLIA CHEFTOP BAKER
40	TB2277A	TUBO INT. UMIDITA' 2 MOTORI Ø16X1
41	TB2278A	TUBO INT. UMIDITA' 2 MOTORI Ø16X1

42	OG1498A	CARTER XBC615EG
43	GN1342B	GN1000B-GUARNIZIONE PORTA XBC604-
44	VN1030A	VENTOLA D196 H81 39 PALE DADO M8
46	OH4305A	DISCO TENUTA ALBERO MOTORE INOX S
48	OG1445A	DISTANZIALE CARTER ARIA XBC GAS
49	RS1215A	RES. PIANA 147W 105V D230 1 SPIRA
52	OH2551A	TAPPO PER TUBO DI SCARICO LIQUIDI
53	GRL1268A	SUPPORTO LAT. DX 6X600X400
54	GRL1267A	SUPPORTO LAT. SX 6X600X400
55	TR1041A	SONDA AL CUORE STAMPATA L=2000
56	VM1955A	CORPO GIRANTE LAVAGGIO
58	TB1956A	TB1520A-TUBO NERO EPDM L=50
59	RC1378A	FASCETTA STRINGI TUBO ZINCATA
60	RC1170A	DADO M14 H=8 CH=22 INOX
61	TB1515A	TUBO EST. UMIDITA' + RC1165A0
62	TB2246A	TUBO EST. UMIDITA' + RC1165A0
63	EL1361A	ELETTROVALVOLA TRI-STADIO JG D8-D
65	EL1055A	RIDUZIONE INTERMEDIA D10-D8
66	EL1020A	RACCORDO INTERMEDIO "T" TUBO Ø8
68	VN1130A	MOTORE FORNO 330W 230V 50/60HZ
71	VM1465A	COPERCHIO SONDA TEMPERATURA CHEFT
73	TR1106A	SONDA TERATURA PT100 L2000
74	PE1710A	SENSORE NUMERO GIRI MOTORE
75	VE1135A	ATTUATORE VENTURI 220V 50/60 HZ S
76	TB1924A	TUBO SILICONE VENTURI D25 XBC605
80	OD2150A	FIANCO SX XBC615EG
81	OD2151A	FIANCO DX XBC615EG
82	OD1800A	COPERCHIO XBC615/815G
83	OF1436A	SCHIENA XBC615EG
84	VN1120B	VENTOLA RAFFREDDAMENTO 12V
85	VM1555A	SUPPORTO VENTOLA RAFFREDDAMENTO C

86	VM1556A	PROTEZIONE VENTOLA RAFFREDDAMENTO
87	OH5114A	LAMIERA COPERTURA BRUCIATORE CT-G
89	OH6395A	LONGHERONE BT S.5-E
90	PD1066B	PIEDE H100 PLASTICA BICOMPONENTE
91	PD1063A	STAFFA BLOCCAGGIO PIEDE CT BT
92	OE1313A	FONDO EST BT GAS S.5E
93	VM1992A	CASSETTO RACCOGLI GOCCE 860
94	VM1220A	CLIP FISSAGGIO CASSETTO RACCOGLIG
95	VL1026A	CURVA PER TUBO DI SCARICO
96	GN1400A	GUARNIZIONE SIFONE
97	VM2039A	ANELLO FISSAGGIO CURVA DI SCARICO
98	VM2035A	SUPPORTO PER TUBO DI SCARICO
99	VM1160B	STAFFA INFERIORE PORTA CT BT
101	OH2560A	CONTROSTAFFA ZINCATA PORTA C.T.
102	VM1461A	COPERCHIO SX SCROCCO PORTA XBC/XV
103	VM1191A	SCROCCO MANIGLIA SX CT BT
105	VM1201A	PIASTRINA SUPPORTO MICROPORTA MAG
106	VE1020A	MICROINTERRUTTORE PORTA MAGNETICO
107	VM1460A	COPERCHIO DX SCROCCO PORTA XBC/XV
108	VM1190A	SCROCCO MANIGLIA DX CT BT
109	PE1967A	SCHEDA RIARMO RJ45
110	OH1450A	ANGOLO FACCIATA MUFFOLA INOX XB-X
112	OH4060A	LAMIERA COPERTURA Elett. GAS INOX
113	OH6406A	LAMIERA COPERTURA ACCENDITORE
114	GN1312A	PASSACAVO GOMMA DE=26 DI=15 SP=10
115	VM1195A	PIASTRINA COPRIFORI XVC204/304/50
117	VM1165B	STAFFA SUPERIORE PORTA CT BT
118	OH3790A	LAMIERA TENUTA CAMINO
119	GN1275A	GUARNIZIONE CAMINO SILICONE NERO
120	ON1210A	COPERTURA ESTETICA INTER. TIRAG.
121	ON1355A	CORPO INTERRUTTORE TIRAGGIO FUMI

122	ON1353A	COPERCHIO CONTROCANNE
123	ON1361A	LAMIERA LATERALE CANNE XBC
124	TR1110B	SONDA TEMPERATURA TC K L2000 COMP
125	GN1200A	GUARNIZIONE D=24 RACCORDO 3/4 GOM
126	RC1365A	RACCORDO JG FEMMINA 3/4"-10
127	VL1034A	FILTRO ACQUA Ø10 MESH100
128	TB2237A	TUBO Ø10 ALLACCIAMENTO RETE
130	VL1010A	AFFONDANTE CON FILTRO
131	VL1041A	TAPPO DETERGENTE
132	TB2242A	TUBO Ø6 LAVAGGIO 2M
133	VL1043A	PORTAGOMMA D4-CODOLO D6
134	RC1373A	RACCORDO GOMITO Ø6F-Ø6F
135	EL1185B	RACCORDO GOMITO D8F-D8F
136	RC1374A	RACCORDO 1/4 M CIL- Ø8 M
137	RC1372A	RACCORDO DRITTO Ø10M-1/4 M CIL
139	RC1360A	RACCORDO GOMITO JG 10-10
140	VL1042A	RIDUTTORE PRESSIONE CON DISTRIBUT
141	VL1038A	POMPA VIBRAZIONE
142	EL1411A	ELETTROVALVOLA H2O CON CHECK VALV
143	EL1195B	RACCORDO GOMITO D8F-D8M
144	EL1020A	RACCORDO INTERMEDIO "T" TUBO Ø8
145	TB2235A	ROCCETTO DETERGENTE TUBO Ø8
150	OP1007A	PORTACOMPONENTI BT GAS S.5E
151	MR1000A	CAVO 3X1,5 H07RN-F MT1,5+K2/3+SCH
152	VM1750A	MORSETTIERA A PETTINE
153	VM1840A	TAPPO NYLON NERO DIAM. 9,5 MM
154	CE1400A	CAVO RJ45 - RJ45 L=0,5MT
155	VE1110A	CONDENSATORE 6,3 7F 450VAC 50/60
157	PE1725D	SCHEDA POTENZA FORNI CT-BT SS.E
158	PE1730C	SCHEDA GESTIONE CENTRALINA GAS CT
200	LV1525A	GUARNIZIONE CORDA FIBRA DI VETRO

201	ON1220A	CANNA SCAMBIATORE XBC615G
203	ON1225B	TURBOLATORE XBC615G
204	GR1070A	ANELLO PER LABIRINTO CANNA-PORTAC
205	TF1050A	COLONNINA FISSAGGIO BRUCIATORE XB
206	ON1310A	SCATOLA SUP. BRUCIATORE ATM V2
207	ON1190A	SCUDO INTERNO XVC314/514/714
208	ON1195A	SCUDO INTERMEDIO XVC314/514/714 G
209	BR1310A	CANDELA DOPPIA ACCENSIONE XVC-XBC
211	BR1230A	CANDELA DI RILEVAZIONE ACCENSIONE
212	BR1305A	ASS. BRUCIATORE ATM XVC/XBC 5 CAN
213	ON1185A	SCATOLA INFERIORE XVC314/514/714G
214	TF1045A	PERNO SOSTEGNO ANTERIORE BRUCIATO
215	VM1610A	CLIP TWIST LOCK DIAM. 7,6-10,2 MM
216	CE1775A	CAVO ACCENSIONE HV L=650
218	CE1790A	CAVO CANDELA RILEVAZIONE
219	CE1780A	CAVO PONTE HV L=300
220	VE1600A	ACCENDITORE BERU MOD.0096600017
221	CE1785A	CAVO ALIM. ACCENDITORE
222	OH5126A	OMEGA FISSAGGIO ACCENDITORE
223	VE1060A	COPERCHIO PER VE1055A0
224	VE1055A	CONTROLLO FIAMMA HLL 220-240V 5 S
225	EL1400B	ELETTROVALVOLA MODULANTE GAS HONE
227	RC1045A	RACC.DRITTO OTT.FIL.3/4GAS FEMM.-
228	RC1325A	RACCORDO FLESS.LE GAS 3/8 EST-M13
229	OH6501A	SUPPORTO VALVOLA GAS SERIE E
230	V11140A	DADO 3/8" GAS FEMM 22X7 OTTONE OT
232	ON1135A	FORCHETTA PER TURBOLATORI GAS



# MOD:XBC615EG



EN

## Codes descriptions

1	VT1136B	EXT. GLASS SILKSCREENED 757X743X4
2	VT1135A	INTERNAL GLASS 743X620X6 XBC604
3	TB2315A	XVC505E-XBC605E RIGHT DOOR COLUMN
4	TB1191A	XVC505 XBC605 ST. STEEL LEFT DOOR
5	VM1617A	400/600/800 DRIP PROFILE
6	VM2014A	LEFT DRIP PROFILE PIPE
7	TB1361A	S. E BAKERTOP DOOR UPPER LISTEL
8	TB1362A	S. E BAKERTOP DOOR LOWER LISTEL
9	VM1171B	DOOR LOWER FULCRUM CAP
10	VM1510A	XBC/XVC GROOVED DOOR PIN BUSHING
11	VM1511A	XBC/XVC SLEEK DOOR PIN BUSHING
12	VM1170B	UPPER DOOR FULCRUM CAP
13	CE1285A	EMI ROUND FERRITE MOD.2643801502
14	CE1310A	POWER - CONTROL BOARD CONNECTING
15	VM1680A	INTERNAL GLASS HINGE
16	GN1181A	CR1085-1086 INTERNAL GLASS HINGE
17	CR1086A	INTERNAL GLASS LOWER HINGE
18	PE1740A	CONTROL BOARD PE1705 + BOARD COVE
19	VM1145A	C.T. BOARD FRAME
20	CR1085A	INTERNAL GLASS UPPER HINGE
21	VM1175A	DOOR COLUMN BLANKING CAP
22	VM1180A	HANDLE HAFT XVC204/304/504/704
23	VM2031A	EXTERNAL GLASS PUSHING PLATE
24	VM2043A	UPPER - LOWER GLASS SUPPORT
25	VM2042A	INTERNAL LATERAL GLASS LOCKING SY
26	LP1002B	LED LIGHTING BAR L400
27	VM2044A	DRIP PROFILE CAP
28	CE1290A	EXTRACTABLE FEMALE TERMINAL CPF 5
29	VM1490A	CHEFTOP/BAKERTOP HANDLE SCREWS CO
40	TB2277A	2 MOTORS INTERNAL WATER PIPE Ø16X
41	TB2278A	2 MOTORS INTERNAL WATER PIPE Ø16X

42	OG1498A	XBC615EG FAN GUARD
43	GN1342B	DOOR GASKET GN1000B FOR XBC604-60
44	VN1030A	MOTOR FAN D196 H81 39 BLADE NUT M
46	OH4305A	ST. STEEL MOTOR SHAFT SEALING DIS
48	OG1445A	XBC GAS OVENS FAN GUARD SPACER
49	RS1215A	147W 105V D230 1 TURN FLAT ELEMEN
52	OH2551A	XBC/XVC ST.STEEL DRAIN COVER
53	GRL1268A	RIGHT LATERAL SUPPORT 6X600X400
54	GRL1267A	LEFT LATERAL SUPPORT 6X600X400
55	TR1041A	MOLDED CORE PROBE L=2000
56	VM1955A	WASHING SYSTEM ROTOR
58	TB1956A	TB1520A - EPDM BLACK PIPE L=50
59	RC1378A	HOSE CLAMP
60	RC1170A	STAINLESS STEEL NUT M14 H=8 CH=22
61	TB1515A	EXTERNAL WATER PIPE + RC1165A0
62	TB2246A	EXTERNAL WATER PIPE + RC1165A0
63	EL1361A	J.G. THREE-STAGE SOLENOID VALVE D
65	EL1055A	INTERMEDIATE REDUCTION FROM D=10
66	EL1020A	INTERMEDIATE "T" CONNECTION Ø8
68	VN1130A	330W 230V 50/60HZ MOTOR
71	VM1465A	CHEFTOP TEMPERATURE PROBE COVER
73	TR1106A	TEMPERATURE PROBE PT100 L=2000
74	PE1710A	MOTOR REVOLUTIONS SENSOR
75	VE1135A	VENTURI ACTUATOR 220 V 50/60 HZ S
76	TB1924A	VENTURI SILICON TUBE D25 XBC605
80	OD2150A	XBC605E/615EG EXTERNAL LEFT PANEL
81	OD2151A	XBC605E/615EG EXTERNAL RIGHT PANE
82	OD1800A	XBC615G/815G EXTERNAL COVER
83	OF1436A	XBC605E/615EG EXTERNAL BACK PANEL
84	VN1120B	12V COOLING DOWN FAN
85	VM1555A	CT BT COOLING DOWN FAN SUPPORT

86	VM1556A	XBC-XVC COOLING FAN GUARD
87	OH5114A	CHEFTOP GAS BURNER COVER
89	OH6395A	S. 5-E BAKERTOP FEET BRACKET
90	PD1066B	BI-COMPONENT FOOT H100
91	PD1063A	CT BT FOOT STOP BRACKET
92	OE1313A	E.S. BAKERTOP GAS EXTERNAL BOTTOM
93	VM1992A	DRIP TRAY
94	VM1220A	CLIP TO FIX DRIP TRAY C.T.
95	VL1026A	BEND FOR DRAIN PIPE
96	GN1400A	U-TRAP SEAL
97	VM2039A	DRAIN BEND FIXING RING
98	VM2035A	DRAIN PIPE SUPPORT
99	VM1160B	CT BT DOOR LOWER BRACKET
101	OH2560A	XBC/XVC ZINC PLAT. DOOR COUNTERBR
102	VM1461A	XBC/XVC LEFT DOOR LATCH CAP
103	VM1191A	CT BT LEFT DOOR SPRING LATCH
105	VM1201A	MAGNETIC SUPPORT PLATE FOR DOOR M
106	VE1020A	MAGNETIC DOOR MICROSWITCH
107	VM1460A	XBC/XVC RIGHT DOOR LATCH CAP
108	VM1190A	CT BT RIGHT DOOR SPRING LATCH
109	PE1967A	R145 CONNECTION + RESET POINT
110	OH1450A	XB-XV-XG ST. STEEL MUFFLE FRONT C
112	OH4060A	XBC615G ST. STEEL GAS ELECTRONIC
113	OH6406A	STARTER COVER
114	GN1312A	RUBBER CABLE-PASSING DE=26 DI=15
115	VM1195A	HOLES BLANKING PLATE XVC204/304/5
117	VM1165B	CT BT DOOR UPPER BRACHET
118	OH3790A	CHIMNEY HOLDING PLATE
119	GN1275A	XBC/XVC BLACK CHIMNEY SEALING
120	ON1210A	XVC GAS DRAFT STOPPER EXTERNAL CO
121	ON1355A	GAS DRAFT STOPPER CASING

122	ON1353A	COUNTER HEAT EXCHANGER COVER
123	ON1361A	XBC HEAT EXCHANGER SIDE PANEL
124	TR1110B	COMPLETE TEMPERATURE PROBE TC K L
125	GN1200A	3/4 CONNECTION SEAL D=24 RUBBER+N
126	RC1365A	3/4"-10 JG FEMALE CONNECTION
127	VL1034A	Ø10 MESH100 WATER FILTER
128	TB2237A	Ø10 WATER MAIN CONNECTION PIPE
130	VL1010A	HOLD DOWN WEIGHT WITH FILTER
131	VL1041A	DETERGENT CAP
132	TB2242A	WASHING SYSTEM PIPE Ø6 2M
133	VL1043A	D4 PIPE HOLDER - D6 J.G. TERMINAL
134	RC1373A	Ø6F-Ø6F ELBOW FITTING
135	EL1185B	D8F-D8F ELBOW FITTING
136	RC1374A	1/4 - Ø8 M CIL. FITTING
137	RC1372A	Ø10M-1/4 M CIL. STRAIGHT CONNECTI
139	RC1360A	10 - 10 JG ELBOW FITTING
140	VL1042A	PRESSURE REDUCER WITH DISTRIBUTOR
141	VL1038A	VIBRATION PUMP
142	EL1411A	SOLENOID VALVE WITH CHECK VALVE
143	EL1195B	D8F-D8M ELBOW CONNECTION
144	EL1020A	INTERMEDIATE "T" CONNECTION Ø8
145	TB2235A	Ø8 DETERGENT PIPE COIL
150	OP1007A	E.S. BAKERTOP GAS COMPONENTS HOLD
151	MR1000A	CABLE 3X1,5 H07RN-F MT1,5+K2/3+S
152	VM1750A	TERMINAL BOARD
153	VM1840A	BLACK NYLON CAP DIAM. 9,5MM
154	CE1400A	RJ45 - RJ45 CABLE L=0,5MT
155	VE1110A	CONDENSER 6,3 7F 450VAC 50/60HZ
157	PE1725D	E SERIES CHEFTOP-BAKERTOP POWER C
158	PE1730C	CT-BT GAS CONTROL BOARD
200	LV1525A	COUNTERPIPE GLASS FIBRE STRING SE

201	ON1220A	XBC615G HEAT EXCHANGER PIPE
203	ON1225B	XBC615EG BAFFLE
204	GR1070A	STAINLESS STEEL RING FOR LABYRIN
205	TF1050A	XBC BURNER FIXING COLUMN
206	ON1310A	UPPER BOX FOR ATM V2 BURNER
207	ON1190A	XBC-XVC INTERNAL BURNER GUARD
208	ON1195A	XBC-XVC MID BURNER GUARD
209	BR1310A	XBC-XVC DOUBLE START UP CANDLE
211	BR1230A	START UP SENSOR CANDLE
212	BR1305A	XVC/XBC 5 CANDLES BURNER
213	ON1185A	XVC315/515/715G ST. ST. LOWER BOX
214	TF1045A	FRONT BURNER RESTING PIN
215	VM1610A	CLIP TWIST LOCK DIAM. 7,6-10,2 MM
216	CE1775A	HV STARTING CABLE L=650
218	CE1790A	FLAME DETECTOR CANDLE CABLE
219	CE1780A	HV BRIDGE CABLE L=300
220	VE1600A	LIGHTER BERU MOD.0096600017
221	CE1785A	START UP CABLE
222	OH5126A	LIGHTER FIXING OMEGA
223	VE1060A	COVER FOR VE1055A0
224	VE1055A	HLL 220-240V 5 SEC FLAME CONTROL
225	EL1400B	HONEYWELL MODULATING GAS VALVE
227	RC1045A	3/4 FEMALE-3/4 STRAIGHT GAS CONNE
228	RC1325A	FLEXIBLE GAS JOINT 3/8 EST-M13X1
229	OH6501A	E SERIES GAS VALVE SUPPORT
230	VI1140A	BRASS FEMALE GAS NUT 3/8" 22X7
232	ON1135A	GAS BAFFLE FORK